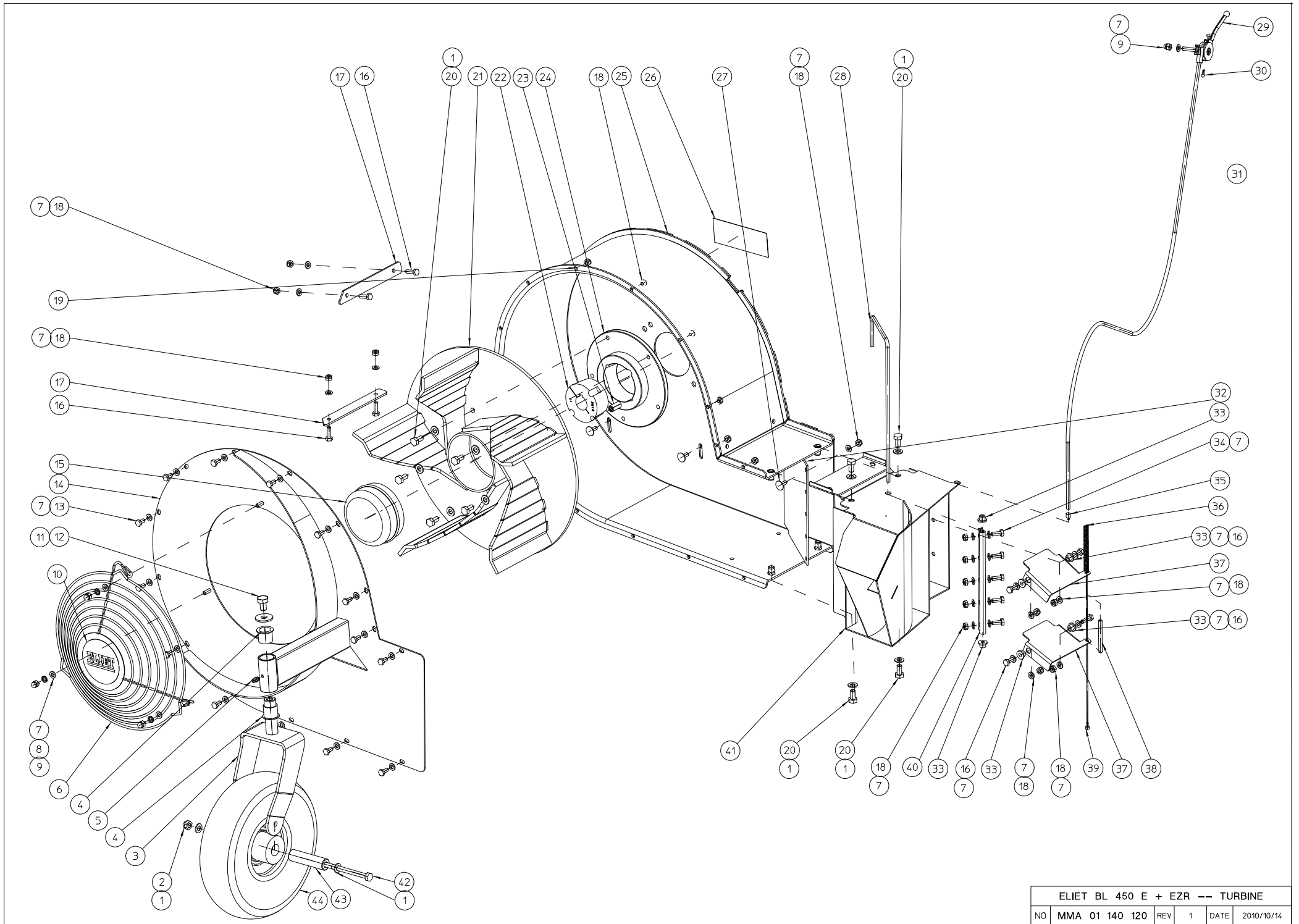


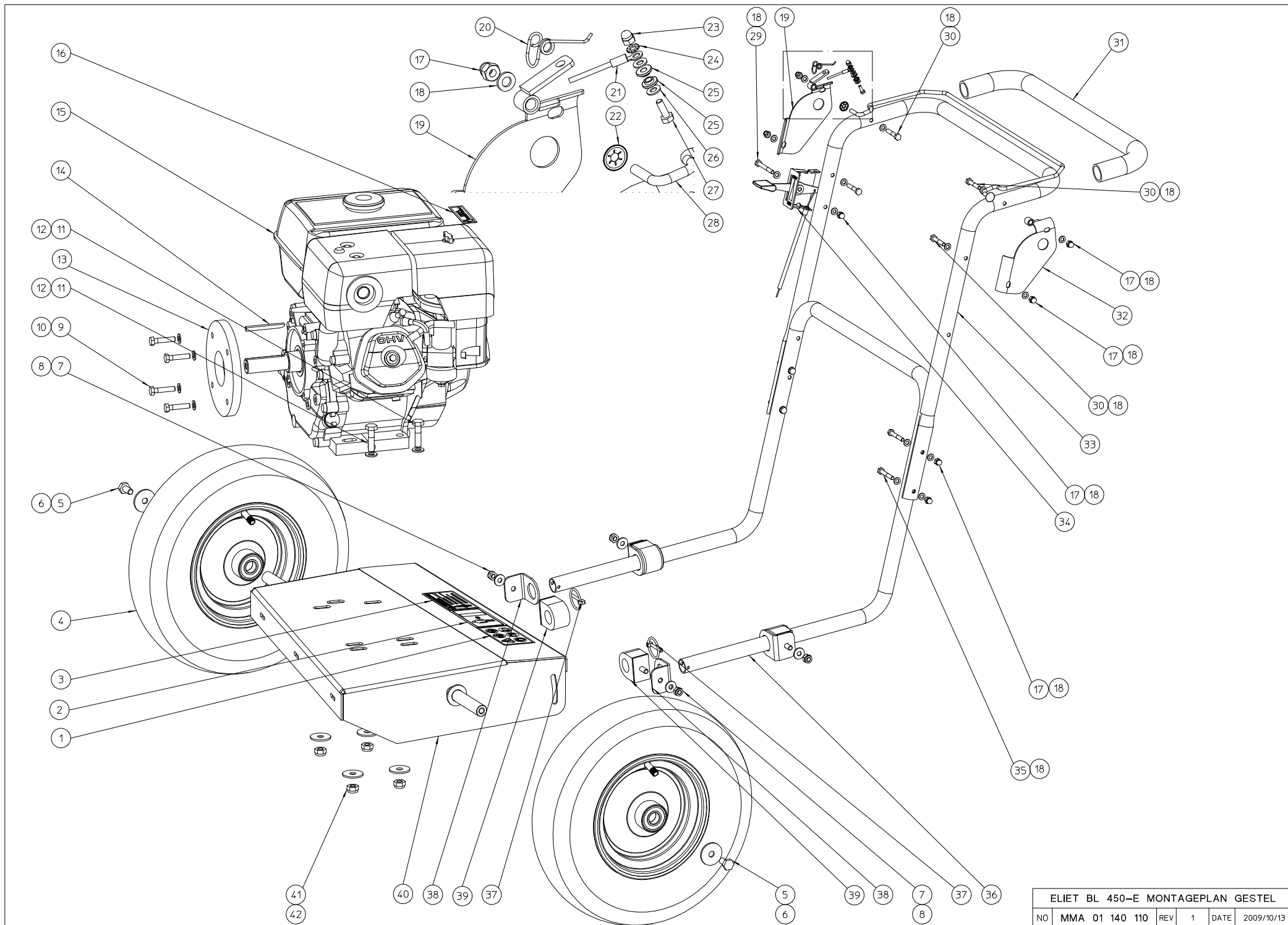
ELIET BLADBLAZER 450					
NO	MMA 01 140 100	REV	2	DATE	2010/10/15

#	Order nr	article description	quantity
500	MMA 01 140 120	turbine	1
501	MMA 01 140 110	general view	1



ELIET BL 450 E + EZR --- TURBINE							
NO	MMA 01 140 120	REV	1	DATE	2010/10/14		

#	Order nr	article description	quantity
1	BS 531 000 800	washer m8 din 125	11
2	BS 502 000 800	self locking nut m8 din 985	1
3	MPA 01 140 020	wheel fork	1
4	BR 112 202 100	nylon bushing with collar (20/24/29x21/1)	2
5	BY 100 106 100	grease fitting m6 din 71412	1
6	MPA 01 140 190	grid protection suction inlet	1
7	BS 531 000 600	washer m6 din 125	43
8	BS 534 000 600	lock washer m6 din 6798a	3
9	BS 505 500 600	nut m6 din 1587	4
10	BQ 501 010 070	sticker eliet Ø 82mm	1
11	BS 532 010 305	washer m10x30x2.5	1
12	BS 512 001 016	bolt m10x16 din 933	1
13	BS 512 000 612	bolt m6x12 din 933	14
14	MPA 01 140 160	front plate turbine	1
15	BT 162 501 081	snap cap 100x40mm	1
16	BS 512 000 620	bolt m6x20 din 933	8
17	MPA 01 140 040	fixation profile	2
18	BS 502 000 600	self locking nut m6 din 985	30
19	BR 900 001 260	rubber silencer bbl 450	1
20	BS 512 000 816	bolt m8x16 din 933	9
21	MPA 01 140 170	impeller 5 wings alu	1
22	BB 501 251 600	taper lock tl 2012-1"	1
23	BB 501 311 220	set screw 7/16"x7/8"	1
24	BA 281 753 201	flange Ø175x32 - tl 2012	1
25	MPA 01 140 140	turbine housing	1
26	BQ 505 010 010	identity sticker ce 120x30	0
27	BS 554 100 616	bolt m6x16 din 603	3
28	BV 914 000 060	handle for positioning bbl 450	1
29	BN 312 408 500	control handle	1
30	BK 213 020 010	cable end	1
31	BK 212 061 200	cable conductor 6x1200mm	1
32	BR 910 000 330	nylon clapper bbl 450	1
33	BR 112 060 800	nylon bushing with collar (6/10/15x8.5/2)	6
34	BS 512 000 616	bolt m6x16 din 933	5
35	BK 170 406 300	cable conductor end	1
36	BV 914 000 040	spring 1,2x8x92	1
37	MPA 01 140 180	control valve	2
38	BK 212 060 060	cable conductor 6x60mm	1
39	BK 151 201 500	cable 2x1500mm	1
40	MPA 01 140 175	holder gate	1
41	MPA 01 140 130	wind flow deflector	1
42	BS 511 000 848	bolt m8x80 din 931	1
43	MPA 01 140 010	wheel shaft	1
44	BW 025 020 010	wheel complete 3.00-4	1



ELIET BL 450-E MONTAGEPLAN GESTEL						
NO	MMA 01 140 110	REV	1	DATE	2009/10/13	

#	Order nr	article description	quantity
1	BQ 505 010 050	safety sticker 60x100 (pictogram)	1
2	BQ 505 010 150	safety sticker 60x100 (distance)	1
3	BQ 505 010 040	safety sticker 60x100 (spark plug)	1
4	BW 040 020 020	wheel 4.80/4,00-8	2
5	BS 512 001 020	bolt m10x20 din 933	2
6	BS 532 010 406	washer m10x40x3	2
7	BS 502 000 800	self locking nut m8 din 985	4
8	BS 532 008 254	washer m8x25x2	4
9	BS 511 040 840	bolt unf 5/16"x1"1/2	4
10	BS 531 000 800	washer m8 din 125	4
11	BS 511 001 040	bolt m10x40 din 931	4
12	BS 531 001 000	washer m10 din 125	4
13	BR 181 601 500	nylon bushing (60/164x15)	1
14	BB 342 060 668	key 6.35x6.35x68 din 6880	1
15	BM 202 109 000	honda gx 270	1
16	BQ 505 010 030	sticker max 3200 rpm 90x25	1
17	BS 505 500 600	nut m6 din 1587	9
18	BS 531 000 600	washer m6 din 125	18
19	MPA 01 140 045	reinforcement plate right	1
20	BV 914 000 050	spring handle bbl 450	1
21	BE 090 132 101	black wire 1.5 ce 210	1
22	BB 011 000 060	starlock 6mm	2
23	BS 505 500 400	nut m4 din 1587	1
24	BS 534 000 400	lock washer m4 din 6798a	1
25	BR 112 060 300	nylon bushing with collar (4.2/5.9/10x3/1.3)	2
26	BS 531 000 400	washer m4 din 125	2
27	BS 512 000 412	bolt m4x12 din 933	1
28	MPA 01 140 450	safety handle (presence control)	1
29	BS 511 000 642	bolt m6x50 din 931	1
30	BS 511 000 635	bolt m6x35 din 931	4
31	BN 231 002 063	soft rubber grip dia 25mm (l=635mm)	1
32	MPA 01 140 055	reinforcement plate left	1
33	MPA 01 140 430	upper steering bracket	1
34	BK 161 161 551	throttle control + cable	1
35	BS 511 000 640	bolt m6x40 din 931	4
36	MPA 01 140 440	lower steering bracket	1
37	BB 040 304 030	locking pin with bracket 4.5x36	2
38	MPA 01 140 110	support shock isolator	4
39	BR 900 000 400	antivibration blocks	4
40	MPA 01 140 120	engine plate	1
41	BS 502 001 000	self locking nut m10 din 985	4
42	BS 532 010 355	washer m10x35x2.5	4